



# Strong Structure Needs Stronger Fire Protection

Flexible Sprinkler Hose | Automatic Sprinklers |  
Butterfly Valve | Gate Valve |  
Pressure Restricting Valve |  
Pressure Relief & Reducing Valve |  
Dry Barrel Fire Hydrant |



Our Motto:  
Ensuring your  
Safety

# INSIDE

- 04 About NewAge Plus
- 05 Unbraided Flexible Sprinkler Hose (UL Listed)
- 06 Braided Flexible Sprinkler Hose (UL, FM Approved)
- 07 Pendant / Upright Sprinkler (UL Listed)
- 08 Concealed Sprinkler (UL Listed)
- 09 Horizontal Sidewall Sprinkler (UL Listed)
- 10 Alarm Valve (UL Listed)
- 11 Wafer Type Butterfly Valve (ISI Mark)
- 12 Wafer Type Butterfly Valve (UL, FM Approved)
- 13 Wafer Butterfly Valve (UL, FM Approved)
- 14 Grooved Type Butterfly Valve (UL, FM Approved)
- 15 Resilient Wedge Gate Valve (UL, FM Approved)
- 16 Resilient Wedge Gate Valve (UL, FM Approved)
- 17 NRS Gate Valve (UL, FM Approved)
- 18 Flanged Resilient Swing Check Valve (FM Approved)
- 19 Flanged Y-Type Strainer (UL, FM Approved)
- 20 Dry Barrel Fire Hydrant (UL, FM Approved)
- 21 Waterflow Detector & Supervisory Switch (UL, FM Approved)
- 22 Pressure Restricting Valve (FM Approved)
- 23 Pressure Relief & Reducing Valve (UL, FM Approved)
- 24 Contact

# About NewAge Plus

We would like to introduce our "NEWAGE PLUS" range of product. rapid urbanization has led to technological advancement and research in several fields, which resulted in the inventions of new materials and processes. In the field of fire protection too, lot of innovations have come through, especially in the design aspects of various fire fighting appliances.

To cope up with these developments, we have incorporated the latest innovations into our products so that they can, not only withstand all the challenges of today but also meet your future requirements.

In view of above, we offer a comprehensive package consisting of several fire fighting appliances which

can be useful in the event of a fire. Our package consists of the following items:

- About NewAge Plus
- Unbraided Flexible Sprinkler Hose (UL Listed)
- Braided Flexible Sprinkler Hose (UL, FM Approved)
- Pendant / Upright Sprinkler (UL Listed)
- Concealed Sprinkler (UL Listed)
- Horizontal Sidewall Sprinkler (UL Listed)
- Alarm Valve (UL Listed)
- Wafer Type Butterfly Valve (ISI Mark)
- Wafer Type Butterfly Valve (UL, FM Approved)
- Wafer Butterfly Valve (UL, FM Approved)
- Grooved Type Butterfly Valve (UL, FM Approved)
- Resilient Wedge Gate Valve (UL, FM Approved)
- Resilient Wedge Gate Valve (UL, FM Approved)
- NRS Gate Valve (UL, FM Approved)
- Flanged Resilient Swing Check Valve (FM Approved)
- Flanged Y-Type Strainer (UL, FM Approved)
- Dry Barrel Fire Hydrant (UL, FM Approved)
- Waterflow Detector & Supervisory Switch (UL, FM Approved)
- Pressure Restricting Valve (FM Approved)
- Pressure Relief & Reducing Valve (UL, FM Approved)
- Contact

Brief details of the above items are given overleaf.

Please do get in touch with us for enquiries and further details.

# Unbraided Flexible Sprinkler Hose



Description	Material	Description	Material
Flexible Tube/ Braiding Wire	SS304	O-Ring	NBR/EPDM
Reducer, Nipple	SPHT2	Bracket L & Brackets	SPCC
Nut	SWRM6K	Square Bar	SGCC
Isolating Ring	Polyamide 6	Bolt	SWCH 10A

## Technical Specifications

Model	W.P. Psi/ kg/cm <sup>2</sup>	Outlet Inch (mm)	K-factor	Assembly Length, Ft (mm) permissible	Max NO. OF 90° bends Permissible	Min. Bend Radius in Inches.	Eq. Length of 1" Sc. 40 Steel Pipe (C=120), in feet
NFAP25-07	200 (14)	1/2"(12.7)	5.6 (80)	2.3 (700)	1	5	26
NFAP25-10	200 (14)	1/2"(12.7)	5.6 (80)	3.3 (1000)	1	5	36
NFAP25-12	200 (14)	1/2"(12.7)	5.6 (80)	3.9 (1200)	3	5	67
NFAP25-15	200 (14)	1/2"(12.7)	5.6 (80)	4.9 (1500)	3	5	84
NFAP25-18	200 (14)	1/2"(12.7)	5.6 (80)	5.9 (1800)	3	5	101
NFAP25-07	200 (14)	3/4"(19)	8.0(115)	2.3 (700)	1	5	32
NFAP25-10	200 (14)	3/4"(19)	8.0(115)	3.3 (1000)	1	5	42
NFAP25-12	200 (14)	3/4"(19)	8.0(115)	3.9 (1200)	3	5	73
NFAP25-15	200 (14)	3/4"(19)	8.0(115)	4.9 (1500)	3	5	77
NFAP25-18	200 (14)	3/4"(19)	8.0(115)	5.9 (1800)	3	5	105
NF25-700	175 (12.25)	1/2"(12.7)	5.6 (80)	2.3 (700)	1	4	30
NF25-1000	175 (12.25)	1/2"(12.7)	5.6(80)	3.3 (1000)	2	4	44
NF25-1200	175 (12.25)	1/2"(12.7)	5.6(80)	3.9 (1200)	3	4	54
NF25-1500	175 (12.25)	1/2"(12.7)	5.6(80)	4.9 (1500)	3	4	76
NF25-1800	175 (12.25)	1/2"(12.7)	5.6(80)	5.9 (1800)	3	4	86
NF25-700	175 (12.25)	3/4"(19)	8.0(115)	2.3 (700)	1	4	30
NF25-1000	175 (12.25)	3/4"(19)	8.0(115)	3.3 (1000)	2	4	49
NF25-1200	175 (12.25)	3/4"(19)	8.0(115)	3.9 (1200)	3	4	56
NF25-1500	175 (12.25)	3/4"(19)	8.0(115)	4.9 (1500)	3	4	77
NF25-1800	175 (12.25)	3/4"(19)	8.0(115)	5.9 (1800)	3	4	80

# Braided Flexible Sprinkler Hose



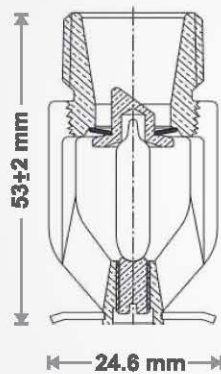
Description	Material	Description	Material
Flexible Tube/ Braiding Wire	SS304	O-Ring	NBR/EPDM
Reducer, Nipple	SPHT2	Bracket L & Brackets	SPCC
Nut	SWRM6K	Square Bar	SGCC
Isolating Ring	Polyamide 6	Bolt	SWCH 10A

## Technical Specifications

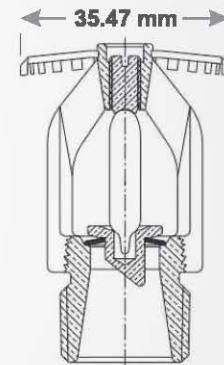
Model	W.P. Psi/ kg/cm <sup>2</sup>	Outlet Inch (mm)	K-factor	Assembly Length, Ft (mm) permissible	Max NO. OF 90° bends Permissible		Min. Bend Radius in Inches.		Eq. Length of 1" Sc. 40 Steel Pipe (C=120), in feet	
					UL	FM	UL	FM	UL	FM
NI27SB-700	200 (14)	1/2"(12.7)	5.6 (80)	2.3 (700)	1	1	5	11.8	26	33.0
NI27SB-1000	200 (14)	1/2"(12.7)	5.6 (80)	3.3 (1000)	1	2	5	11.8	36	43.6
NI27SB-1200	200 (14)	1/2"(12.7)	5.6 (80)	3.9 (1200)	3	3	5	11.8	67	55.9
NI27SB-1500	200 (14)	1/2"(12.7)	5.6 (80)	4.9 (1500)	3	4	5	11.8	84	67.5
NI27SB-1800	200 (14)	1/2"(12.7)	5.6 (80)	5.9 (1800)	3	4	5	11.8	101	78.8
NI27SB-700	200( 14)	3/4"(19)	8.0(115)	2.3 (700)	1	1	5	11.8	32	28.3
NI27SB-1000	200 (14)	3/4"(19)	8.0(115)	3.3 (1000)	1	2	5	11.8	42	48.1
NI27SB-1200	200 (14)	3/4"(19)	8.0(115)	3.9 (1200)	3	3	5	11.8	73	86.8
NI27SB-1500	200 (14)	3/4"(19)	8.0(115)	4.9 (1500)	3	4	5	11.8	77	111
NI27SB-1800	200 (14)	3/4"(19)	8.0(115)	5.9 (1800)	3	4	5	11.8	105	120.8

# Pendant/ Upright- Sprinkler

## Pendant Sprinkler



## Upright Sprinkler



### Standard Response & Quick Response

The sprinkler is available in Pendant and Upright spray, 5 mm diameter glass bulb in standard response and 3 mm diameter glass bulb in quick response. Temperature rating of 68 °C and 79 °C, K 5.6 (80) orifice size, and Pressure rating of 175psi (12 Bar).

### Technical Specifications

SIN	NISRP02 / NI052	NISRU02 / NI032	NIQRP02 / NI062	NIQRU02 / NI042
Response Type	Standard Response	Standard Response	Quick Response	Quick Response
Type	Pendant	Upright	Pendant	Upright
Nominal K-Factor	5.6 (80)	5.6 (80)	5.6 (80)	5.6 (80)
Maximum Working Pressure	175 psig (12 Bar)	175 psig (12 Bar)	175 psig (12 Bar)	175 psig (12 Bar)
Hydrostatic Test Pressure	350 psig (25 Bar)	350 psig (25 Bar)	350 psig (25 Bar)	350 psig (25 Bar)
Operating Temperature	68 79	68 79	68 79	68 79
Glass Bulb Size	5 mm	5 mm	3 mm	3 mm
Thread Size	1/2" NPT / BSPT	1/2" NPT / BSPT	1/2" NPT / BSPT	1/2" NPT / BSPT

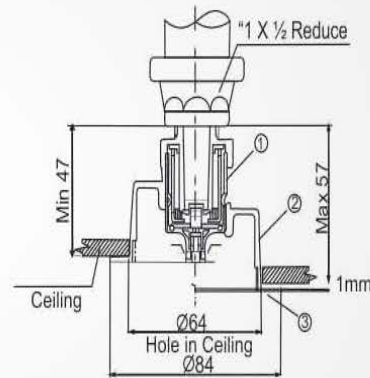
### Material Specification

Component	Material	Specification
Frame	Forged Bronze	ASTM B584 CB3600
Deflector	Brass Sheet	ASTM B36 C6800
Bulb Retainer	Bronze Rod	C863600
Spring Washer	Stainless Steel Sheet PTFE Coated	ASTM A 167 S30400
Set Screw	Brass Rod	ASTM B 16 C36000

# Concealed Sprinkler



## Assembly Diagram



### Standard Response & Quick Response

NewAge concealed sprinkler is designed to meet both aesthetic and practical requirement for airport, high-class hotel, luxurious apartment, and sports facility. Its unique concealed installation hides the sprinkler behind the cover plate assembly provides 10 mm of field adjustment capability resulting in an easily accomplished tight fit against the ceiling.

### Technical Specifications

SIN NO.	NI072	NI082
<b>Response Type</b>	<b>Standard</b>	<b>Quick</b>
Temperature Rating (Sprinkler)	68 °C	68 °C
Temperature Rating (Cover Plate)	57° C	57° C
Nominal K Factor	5.6 (80)	5.6 (80)
Glass Bulb Size	5 mm	3 mm
Maximum Working Pressure	175 psi (12kgf/cm2)	175 psi (12kgf/cm2)
Factory Hydrostatic test Pressure	350 psi (25kgf/cm2)	350 psi (25kgf/cm2)
Thread Size	1/2" NPT / BSPT	1/2" NPT / BSPT
Sprinkler Finish	Chrome Plated	Chrome Plated
Cover Plate Finish	White	White
Approved	UL Listed ( File EX 15242)	UL Listed ( File EX 15242)

### Material Specification

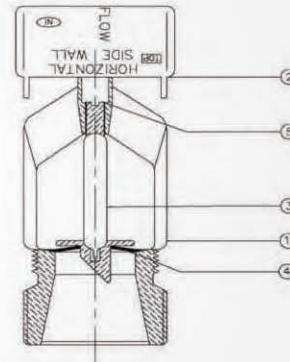
Component	Material	Options
Frame	Forged Bronze	ASTM B584 C83600
Deflector	Brass Sheet	ASTM B36 C26800
Bulb Retainer	Bronze Rod	CB63600
Spring Washer	Stainless Steel Sheet PTFE Coated	ASTM A 167 S30400
Set Screw	Brass Rod	ASTM B 16 C36000



# Horizontal Sidewall Sprinkler



## Assembly Diagram



### Standard Response & Quick Response

Newage UL Listed Sidewall Type Sprinkler Is for horizontal Installation. It Offers rectangular spray pattern and is ideally suited for use in the sprinkler hard-install area such fire prevention shutter area such as fire privation shutter area, mechanical parking building, hotel and escalator

### Technical Specifications

SIN NO.	NI SRH03 / NI 012	NI QRH03 / NI 022
<b>Response Type</b>	<b>Standard</b>	<b>Quick</b>
Temperature Rating	68 ° C / 79° C	68 ° C / 79° C
Nominal K Factor	5.6 (80)	5.6 (80)
Glass Bulb Size	5 mm	3 mm
Maximum Working Pressure	175 psi (12kgf/cm2)	175 psi (12kgf/cm2)
Hydrostatic Test Pressure	350 psi (25kgf/cm <sup>2</sup> )	350 psi (25kgf/cm <sup>2</sup> )
Thread Size	1/2" NPT / BSPT	1/2" NPT / BSPT
Product Finish	Chrome Plated	Chrome Plated
Approved	UL Listed ( File EX 15242)	UL Listed ( File EX 15242)

### Material Specification

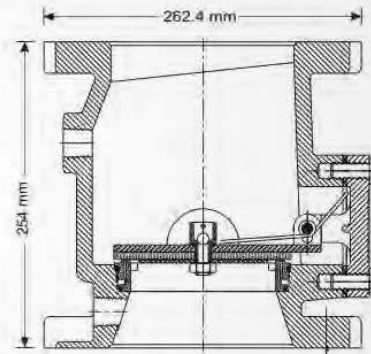
Component	Material	Specification
Frame	Forged Bronze	ASTM B584 C83600
Deflector	Brass Sheet	ASTM B36 C26800
Bulb Retainer	Bronze Rod	C863600
Spring Washer	Stainless Steel Sheet PTFE Coated	ASTM A 167 S30400
Set Screw	Brass Rod	ASTM B 16 C36000

# Alarm Valve

(Available in 4 & 6 inches)



Assembly Diagram



The Newage Alarm check valve, available in 4" (100mm) and 6" (150mm) sizes features a grooved seat alarm port, an external by-pass, and removable hand hole cover which is hinged to a clapper assembly.

The valve has both flanged inlet and outlet, and is to be installed vertically on a wet pipe sprinkler system, and has capability of initiating the required alarm through a water motor alarm or an electric pressure switch.

## Alarm Check Valve

Nominal Size	4" (100 mm)	6" (150 mm)
Inlet / Outlet Flange Connection	ANSIB16.5 Class 150lb Flat Face	
Flange PCD / No. of Bolts	190.5mm / 8	241.3mm / 8
Rated Working Pressure	175 psig (12 bar)	
Test Pressure	350 psig (24 bar)	
Working Pressure Range	21 psig ~ 200 psig (1.5 ~ 14 kgf/cm2)	
Max Flow Rate	550gpm ( 2100 lit/min)	790gpm ( 3000 lit/min)
Non actuating flow rate	Below 4gpm (15 l/min)	
Maximum friction loss (equivalent length of pipe c=120)	40 ft	
Certification	UL Listed (File EX15808)	
Weight	20 Kgs	37 Kgs
Standard Components	Pressure gauges, Pressure Operated Switch , Drain valve, Alarm test units	
Optional Items.	Water Motor Gong, Retard Chamber	

## Material Specification

Component	Material	Specification
BODY	Cast Iron	ASTM B16 C36000
COVER	Cast iron	ASTM A126 class A
CLAPPER	Stainless Steel	ASTM A126 class A
SEAT SEAL	Synthetic rubber	ASTM A276 S30400
SEAT RING	Cast Bronze	E701N
TORSION SPRING, HINGE PIN, CLAMP RING	Stainless Steel	ASTM B584 C83600
CLAPPER BOLT	Brass Rod	ASTM A276 S30400
NUT	Stainless Steel	ASTM A276 S30400

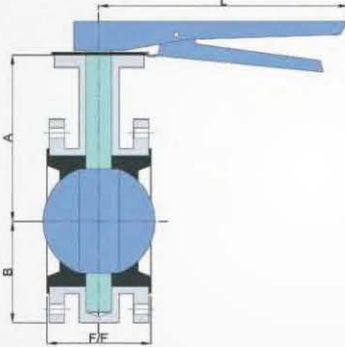
Newage reserves the right to modify any specification without prior notice. It is recommended that Newage be contacted to ensure that the current issues of all technical data sheets are used

# Wafer Type Butterfly Valve

Model No. : BFVWT02 E01



Assembly Diagram



## Silent Features:

- Design Standard : As per IS 13095, BS 5155, API 609
- Testing Standard : As per API 598, ISO 5208
- Rated Pressure : PN 10 & PN 16
- Body Test : 1.5 Times of Rated Pressure
- Seat Test : 1.1 Times of Rated Pressure

## Pneumatic Actuator

Power Operator	Quarter-Turn Pneumatic Actuator
Type	Rack & Pinion Type
Duty	On-off / Regulating
Accessories	Solenoid Valves, Limit / Proximity Switch Box, Positioner , Air Filter Regulator, Manual Over-ride, Electro-Pneumatic Positioner, I-P Converter

## Material Specification

BODY	CI,WCB,CF8,CF8M,DI	Available Sizes	40mm dia to 600mm dia ( ISI Mark applicable to Sizes: 50mm dia to 250mm dia )
DISC	CI,DI,CF8M,SGI	Type	Lever Type, Gear Operated Type, Pneumatic & Electric Actuation Type
BODY LINER	NITRILE,EPDM,VITONE, SILICON,HYPALON	End Connection	Wafer End Connection & Flanged End Connection
HANDLE	SHEET METAL	Flange End Connection	As per ANSI B16.5 Class 150#

## Dimensions

SIZE	F/F	A	B	L	M	
MM	INCH	MOUNTING FLANG PCD				
40	½	33	95	50	185	F05
50	2	43	116	69	265	F07
65	2½	46	122.5	75.5	265	F07
80	3	46	129	82	265	F07
100	4	52	160	101.5	265	F07
125	5	56	173	114.5	265	F07
150	6	56	185.5	127	265	F07
200	8	60	233	154	330	F07
250	10	68	277	203		F10
300	12	78	305	231		F10
350	14	92	320	272		F12
400	16	102	385	302		F14
450	18	114	405	325		F14
500	20	127	485	405		F16
600	24	154	540	480		F16

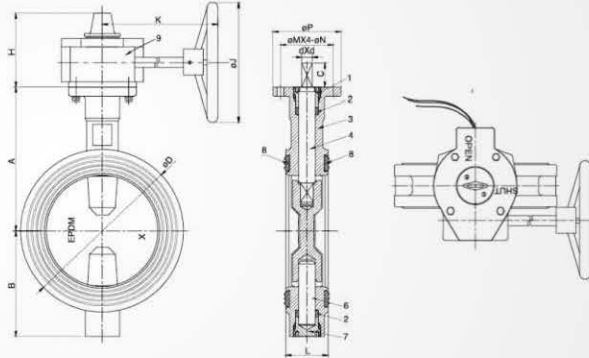
\*Note: In sizes 50mm to 80mm Mounting Studs will pass outside the valve flange. ISI mark is applicable to Sizes 50mm to 250mm.

# Wafer Type Butterfly Valve

Model No. : NIBO-W300A



Assembly Diagram



## Carried Standard

Design Standard : API609  
Face To Face Standard : ANSI B16.1  
class 125/300

Top Standard : ISO 6211  
Test Standard : API598

ITEM/SIZE	A	B	C	D	H	K	J	P	M	N	D	L
2-1/2"	125	95	32	112	111	218	152	90	70	9	10	44.2
3"	140	100	32	120	111	218	152	90	70	9	11	45.3
4"	160	100	32	165	111	218	152	90	70	9	14	52
5"	170	125	32	182	111	218	152	90	70	9	14	54.4
6"	190	140	32	216	111	218	152	90	70	9	16	55.8
8"	230	175	32	260	126	232	300	125	102	12	19	60.5
10"	260	200	45	320	126	232	300	125	102	12	22	66.5
12"	300	240	45	375	161	252	300	125	102	14	24	78.9

No	Name	Material
1	Signal Gearbox	DI
2	End Face Seal	EPDM
3	Lower Shaft Sealing Nut	WCB
4	Lower Shaft	SS416
5	Disc	DI+EPDM
6	Upper Shaft	SS416
7	Body	DI
8	Shaft Seal	EPDM
9	Upper Shaft Sealing Nut	WCB

## Specification

Size: 2 1/2" Through 12"

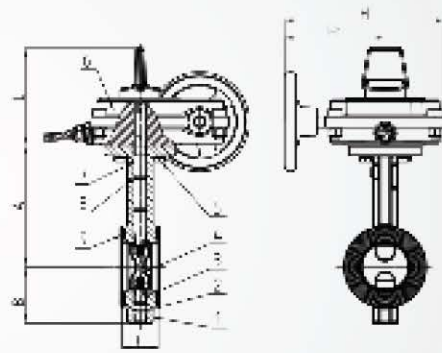
W.P: 300 PSI (20 Bars)

Max T.P: 600 PSI (40 Bars)

Approval: UL listed & FM Approved

# Wafer Butterfly Valve

Model No. : NPBO-W-PN 16/10



- Design Standard: BS EN 593
- Top Flange Standard: ISO 5211
- Working Pressure: PN10/16
- Temperature Range: 0°C
- Coating: Fusion Bonded Epoxy Coating in accordance with ANSI/AWWA C550
- Flange specification: BS EN 1092-2 PN10/PN16, ASME B16.1 CL125, ASME B16.5 CL 150, JIS B2210 10K;

## Materials Specification

	Standard Specification	Options
1. BODY	EN-GUS-150-10	EPDM
2. O-Ring	NBR	
3. Stub Shaft	Ss431	EN-GJS-450-10+NER
4. Disc.	EN-GUS-450-10+EPDM	
5. Hex Nut	Carbon Steel Zinc Plated	
6. Signal Gearbox	BodyEN-GUS-150-10	
7. Drive Shaft	SS431	
8. O-Ring	NBR	EPDM
9. End Face Seal	EPDM	NBR

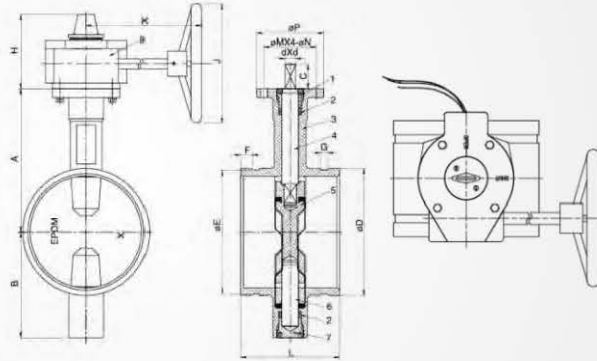
DN		Dimensions (mm)					
Inch	mm	A	B	C	L	H1	H
2"	50	140.5	65	43	122.5	127	202.2
2.5"	65	153	71	46	122.5	127	202.2
3"	80	157.5	81	46	122.5	127	202.2
4"	100	176	95	52	122.5	127	202.2
5"	125	191	111	56	122.5	127	202.2
6"	150	202.5	133	56	122.5	127	202.2
8"	200	243.5	164	60	122.5	185	260.2
10"	250	273	196	68	122.5	185	260.2
12"	300	311	226	78	132	202.5	297.5

# Grooved Type Butterfly Valve

Model No. : NIBO-G300A



Assembly Diagram



## Carried Standard

Design Standard : API609

Top Standard : ISO 6211

Test Standard : API598

ITEM/SIZE	A	B	C	D	E	F	G	H	K	J	P	M	N	D	L
2-1/2"	125	95	32	76.1	72.1	15.9	7.9	111	218	152	90	70	9	10	96.4
3"	140	100	32	88.9	84.9	15.9	7.9	111	218	152	90	70	9	11	97
4"	160	100	32	114.3	110.1	15.9	9.5	111	218	152	90	70	9	14	115.1
5"	170	125	32	168.3	137	15.9	9.5	111	218	152	90	70	9	14	132.4
6"	190	140	32	219.1	164	15.9	9.5	111	218	152	90	70	9	16	132.4
8"	230	175	32	273	214.6	19	11.1	126	232	300	125	102	12	19	147.4
10"	260	200	45	324	268.3	19	12.7	126	232	300	125	102	12	22	159
12"	300	240	45	375	318.3	19	12.7	161	252	300	125	102	14	24	165

No	Name	Material
1	End Face Seal	EPDM
2	Lower Shaft Sealing Nut	WCB
3	Lower Shaft	SS416
4	Disc	DI+EPDM
5	Upper Shaft	SS416
6	Body	DI
7	Shaft Seal	EPDM
8	Upper Shaft Sealing Nut	WCB

## Specification

Size: 2 1/2" Through 12"

W.P: 300 PSI (20 Bars)

Max T.P: 600 PSI (40 Bars)

Approval: UL listed & FM Approved

# Resilient Wedge Gate Valve

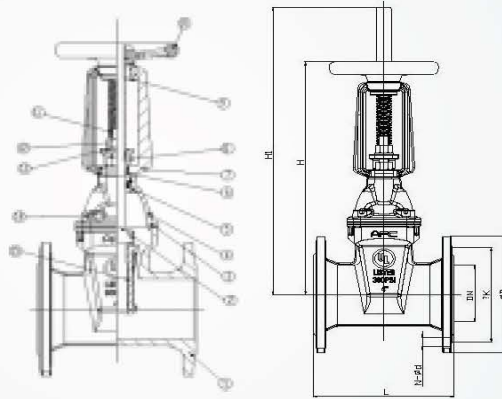
Model No. : NI-OSY-300 FF



OS & Y Gate valve



Assembly Diagram



Working Pressure: 300psi (PN20) & 250psi (PN16)  
Flanged End: ANSI B16.1 Class 125/150/300

## Technical Specifications

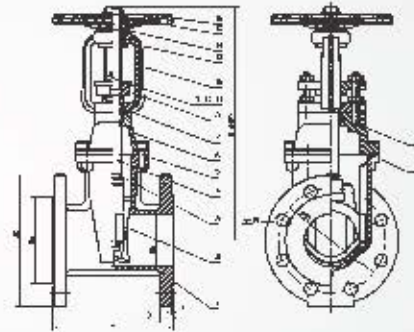
Size	Model No	L	ØD	ØK		n-Ød		H	H1		
In	mm	NI-OSY-FF	mm	PN 16	ANSI	PN 16	ANSI	PN 16	ANSI	Close	Open
2	50	NI-OSY-0050	178	165	152	125	121		4-Ø19	312	382
2-1/2	65	NI-OSY-0065	190	185	178	145	140	4-Ø19	4-Ø19	338	408
3	80	NI-OSY-0080	203	200	191	160	152	8-Ø19	4-Ø19	393	480
4	100	NI-OSY-0100	229	220	229	180	191	8-Ø19	8-Ø19	441	544
5	125	NI-OSY-0125	254	250		210		8-Ø19	8-Ø23	559	692
6	150	NI-OSY-0150	267	285	279	240	241	8-Ø23	8-Ø23	598	759
8	200	NI-OSY-0200	292	340	343	295	298	12-Ø23	8-Ø23	743	953
10	250	NI-OSY-0250	330	400	406	355	362	12-Ø28	12-Ø26	880	1140
12	300	NI-OSY-0300	356	455	483	410	432	12-Ø28	12-Ø26	1109	1319

## Material Specification

Parts NO.	Part Name	Material	Standard
1,4,7 & 8	Body, Bonnet, Yoke, Gland	Ductile Iron	EN GJS 500-7
2	Steam	S.S	AIS1 420
3,5 & 6	Bonnet, O-Rings	Rubber	EPDM
9	Thrust Nut	Brass/ Bronze	CZ122/CA103
10,11,12,13 & 14	Hand wheel, Thread Bar, Nut, Washer, Bolt	Carbon Steel	Commercial
15	Wedge	Ductile Iron + Rubber	EN GJS500-7+EPDM

# Resilient Wedge Gate Valve

Model No. : NP-OSY-PN 16/10



- Connection Ends: Flange to BS EN 1092-2: 1997
- Working Pressure: PN 10/16
- Temperature Range: 0°C-80 °C
- Coating: Fusion Bonded Epoxy Coating in accordance with ANSI/AWWA C550

## Materials Specification

	Standard Specification	Options
1. Valve Body	EN-GJS-450-10	
2. Resilient Wedge Disc	EN-GJS-450-10-EPDM	
3. O-Ring	NBR	EPDM
4. Stem	SS420	SS316, SS304, SS431, Al-bronze
5. Bolt	Carbon Steel Zinc Plated	SS304, SS316
6. Bonnet	EN-GJS-450-10	
7. Stem Bushing	Brass Hpb59-1	
8. Gland	EN-GJS-450-10	
9. Flat Washer	Carbon Steel Zinc Plated	SS304, SS316
10. Stud	Carbon Steel Zinc Plated	SS304, SS316
11. Nut	Carbon Steel Zinc Plated	SS304, SS316
12. Yoke	EN-GJS-450-10	
13. Stem Nut	Brass Hpb59-1	
14. Washer	Brass Hpb59-1	
15. Locknut	Carbon Steel Zinc Plated (Type A) Not available (Type B)	
16. Handwheel	EN-GJS-450-10	Pressed Steel
17. Stem Packing	EPDM	NBR
18. Bonnet Gasket	EPDM	NBR

DN		PN	Dimension										
Inch	mm		L	Type A		Type B		D	D1	d	C	T	n-ØL
				H1 (Close)	H2 (Open)	H1 (Close)	H2 (Open)						
2"	50	10/16	178	323	373	348	400	165	125	99	19	3	4-Ø19
2.5"	65	10/16	190	343	408	373	440	185	145	118	19	3	4-Ø19
3"	80	10/16	203	370	450	408	490	200	160	132	19	3	8-Ø19
4"	100	10/16	229	442	542	471	573	220	180	156	19	3	8-Ø19
5"	125	10/16	254	541	665	541	665	250	210	184	19	3	8-Ø19
6"	150	10/16	267	608	758	593	743	285	240	211	19	3	8-Ø23
8"	200	10/16	292	720	920	774	975	340	295	266	20	3	8-Ø23/12-Ø19
10"	200	10/16	330	940	1190	940	1190	405	350/355	319	22	3	12-Ø23/12-Ø28
12"	300	10/16	356	1065	1370	1065	1370	460	400/410	370	24.5	4	12-Ø23/12-Ø28

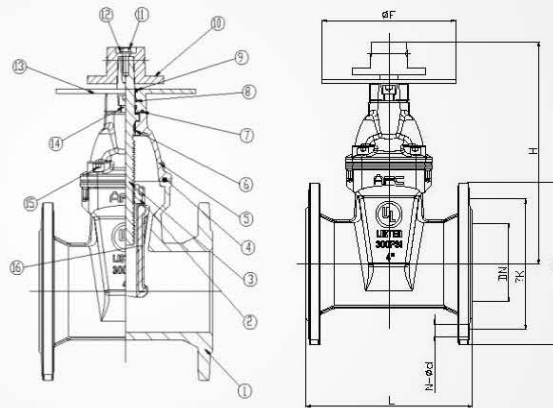


# NRS Gate valve

Model No. : NI-NRS-300 FF



Assembly Diagram



Working Pressure: 300psi (PN20) & 250psi (PN16)  
Flanged End: ANSI B16.1 Class 125/150/300

## Technical Specifications

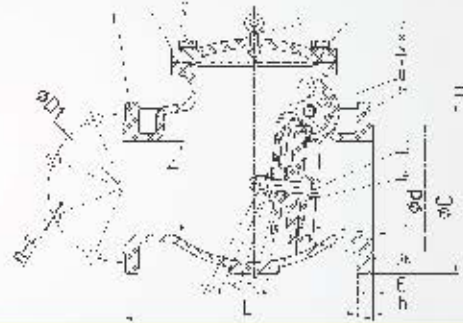
Size	Model No	L	ØD	ØK		n-Ød		H	H1		
In	mm	NI-NRS-FF	mm	PN 16	ANSI	PN 16	ANSI	PN 16	ANSI	Close	Open
2-1/2	65	NI-NRS-0065	190	145	178	145	140	4-Ø19	4-Ø19	253	305
3	80	NI-NRS-0080	203	150	191	160	152	8-Ø19	4-Ø19	288	305
4	100	NI-NRS-0100	229	180	229	180	191	8-Ø19	8-Ø19	321	305
5	125	NI-NRS-0125	254	210		210		8-Ø19	8-Ø23	372	305
6	150	NI-NRS-0150	267	240	279	240	241	8-Ø23	8-Ø23	409	305
8	200	NI-NRS-0200	292	295	343	295	298	12-Ø23	8-Ø23	505	305
10	250	NI-NRS-0250	330	355	406	355	362	12-Ø26	12-Ø26	580	305
12	300	NI-NRS-0300	356	410	483	410	432	12-Ø28	12-Ø26	658	305

## Material Specification

Parts NO.	Part Name	Material	Standard
1,5,10 & 13	Body, Bonnet, Cap, Top Flange	Ductile Iron	EN GJS 500-7
2,	Wedge Nut	Brass/ Bronze	CZ122/CA103
3	Steam	S.S	AIS1 420
4,6 ,7,8 & 9	Bonnet Gasket, O-rings & Duct Wiper	Rubber	EPDM
11,12,14 & 15	Bolt, Washer, In Hex Bolts	Carbon Steel	Commercial
16	Wedge	Ductile Iron + Rubber	EN GJS500-7+EPDM

# Flanged Resilient Swing Check Valve

Model No. NPSCV F - PN 10/16



- Connection Ends: Flange to BS EN 1092-2: 1997
- Working Pressure: PN10/16
- Temperature Range: 0°C - 80°C
- Coating: Fusion Bonded Epoxy Coating in accordance with ANSI/AWWA C550

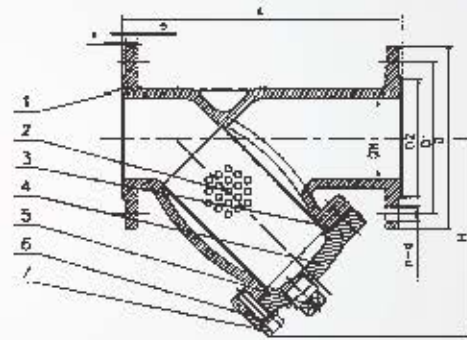
## Materials Specification

	Standard Specification	Options
1. Valve Body	EN-GJS-450-10	
2. Bonnet	EN-GJS-450-10	
3. Flat Washer	Carbon Steel Zinc Plated	
4. Bolts	Carbon Steel Zinc Plated	
5. Eye Bolt	Carbon Steel Zinc Plated	
6. O-Ring	EPDM	NBR
7. Plug	SS304	Bronze ASTM B584
8. O-Ring	EPDM	NBR
9. Hinge Pin	SS304	SS316
10. Washer	Brass ASTM B16 C36000/Hpb63-3	SS304
11. Hinge Bushing	Brass ASTM B16 C36000/Hpb63-3	Ss304
12. Seat Ring	Bronze ASTM B62 C83600/ZQSn5-5-5 (Pressed Fit)	Ss304
13. Disc Seat Bolts	SS304	
14. Retainer Washer	Bronze ASTM B62 C83600/ZQSn5-5-5	
15. Disc Seat Ring	EPDM	NBR
16. Disc	EN-GJS-450-10	
17. Clapper Arm	EN-GJS-450-10	
18. Disc Bushing	Brass ASTM B16 C36000/Hpb63-3	
19. O-Ring	EPDM	NBR
20. Washer	Brass ASTM B16 C36000/Hpb63-3	SS304
21. Nut	Bronze ASTM B62 C83600/ZQSn5-5-5	SS304

DN		PN	Dimension								
Inch	mm		PN	D	D1	D	B	E	H	n-Ød	
2"	50	10/16	203	165	125	99	19	3	133	4-Ø19	
2.5"	65	10/16	216	185	145	118	19	3	150	4-Ø19	
3"	80	10/16	241	200	160	132	19	3	150	8-Ø19	
4"	100	10/16	292	220	180	156	19	3	218	8-Ø19	
6"	150	10/16	356	285	240	211	19	3	290	8-Ø23	
8"	200	10/16	495	340	295	266	20	3	330	8-Ø23 / 12-Ø23	
10"	250	10/16	622	405	350/355	319	22	3	350	12-Ø23 / 12-Ø28	
12"	300	10/16	698	460	400/410	370	24.5	3	376	12-Ø23 / 12-Ø28	

# Flanged Y-Type Strainer

Model No. : NPYS-PN 10/16



- Connection Ends: Flange to BS EN 1092-2: 1997
- Working Pressure: PN10/16
- Temperature Range: -10°C-200°C graphite gasket  
0°C-80°C rubber gasket
- Coating: Fusion Bonded Epoxy Coating in accordance with ANSI/AWWA C550

## Materials Specification

	Standard Specification	Options
1. Valve Body	EN-GJ5-450-10	
2. Screen	SS304 (Perforated)	SS304, SS316 (Perforated, Knitted, Double Screen)
3. Gasket	Graphite+Acarthopore Plate	EPDM
4. Bonnet	EN-GJ5-450-10	
5. Plug	Malleable Iron Galvanized	Bronze ASTM B504
6. Bolt	Carbon Steel Zinc Plated	SS304, SS316
7. Flat Washer	Carbon Steel Zinc Plated	SS304, SS316

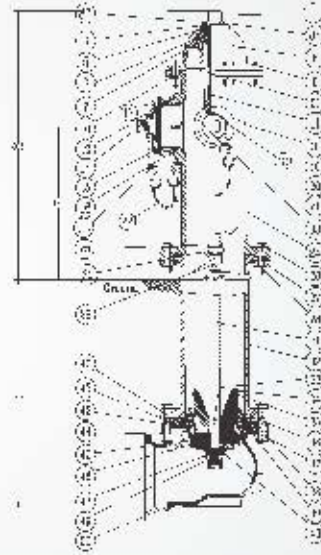
## Standard Screen

DN		Sieve No.	Hole Dia.		Free Flow Area (%)
Inch	mm		mm		%
2"-2.5"	50-65	25	4		48
3"-4"	80-100	19	5		59
5"	125	14	6		63
6" 12"	150-300	13	6.3		64

DN		PN	Dimension							
Inch	mm		L	D	D1	D2	b	n-ØL	f	H
2"	50	10/16	230	165	125	99	19	4-Ø19	3	140
2.5"	65	10/16	290	185	145	118	19	4-Ø19	3	175
3"	80	10/16	310	200	160	132	19	8-Ø19	3	198
4"	100	10/16	350	220	180	156	19	8-Ø19	3	229
5"	125	10/16	400	250	210	184	19	8-Ø19	3	287
6"	150	10/16	480	285	240	211	19	8-Ø23	3	304
8"	200	10/16	600	340	295	266	20	8-Ø23/12-Ø19	3	370.5
10"	200	10/16	730	405	350/355	319	22	12-Ø23/12-Ø28	3	469
12"	300	10/16	850	460	400/410	370	24.5	12-Ø23/12-Ø28	4	540

# Dry Barrel Fire Hydrant

Model No. : NP-1510



- Design Standard : AWWAC502
- Nominal Pressure C: 250PSI
- One Pumper Nozzle, 4.5-4NH thread. Two hose nozzles, 25-7.5NH threads. Other Kinds of threads are available
- Mechanical Connector : AWWA/ANSI C 153/A21.53 6"
- Available Sizes : 36", 42", 48", 54", 60", 66", 72"

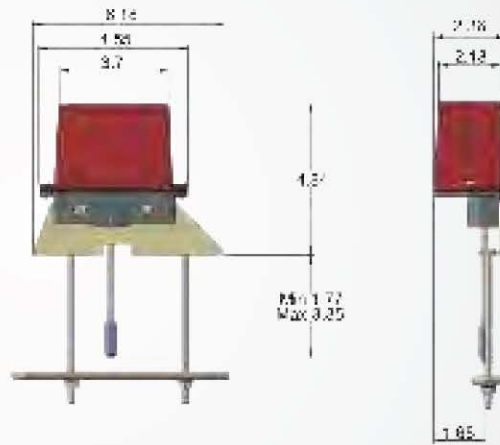
## Materials Specification

Bolt	ASTM A240	40	2	304
Screw Stem Bushing	ASTM A240	39	1	304
100 Cover Gasket	Figure not Shown	38	1	EPDM
100 Connector	ASTM B62	37	1	C83600
Check Turn Gasket	ASTM A283-B	36	1	Gr.B
Locking Nut Seat		35	1	DI
Platen		34	1	DI
Annular Tubes	ASTM A29/29M	33	1	1045
Bolt, Nut	ASTM A29/29M	32	8	1035
Seat Fixing Plate		31	1	DI
Seat	ASTM B62	29	1	C83600
Pressure Relief Valve	ASTM B62	28		C83600
Cushion Rubber		27	1	EPDM
Screw Stem	ASTM A29/29M	26	1	1045
Bolt, Nut	ASTM A29/29M	25	8	1035
Cover Chain	ASTM A283-B	24	3	Gr.B
Cylindrical Pin	ASTM A29/29M	23	1	1045
100 Cover		22	1	DI
Bolt, Nut	ASTM A29/29M	21	8	1035
Screw Nut Seat	ASTM B62	20	1	C83600
Screw Nut Gasket	ASTMB62	19	1	C83600
Screw Stem Nut	ASTM B62	18	1	C83600
Thread Plug	ASTM B62	17	1	C83600
Upper End Cover		16	1	DI
65 Cover		15	2	DI
65 Cover Gasket		14	2	EPDM
65 Connector	ASTM B62	13	2	C83600
Main Body On Ground		12	1	DI
Clamp For Connection Tube\		11	1	DI
Connecting Rod Sleeve	ASTM A29/29M	10	1	1045
Perforated Cylindrical Pin	ASTM A29/29M	09	2	1045
Connecting Cylinder		08	1	DI
Guid Bracket	ASTM B62	07	1	C83600
Sealed Rubber Sheet		06	1	EPDM
Tray		05	1	DI
Locking Nut Gasket		04	1	EPDM
Connecting Rod	ASTM A29/29M	03	1	1045
Locking Nut		02	1	DI
Mechanical Connector		01	1	DI

# Waterflow Detector & Supervisory Switch



**Waterflow  
Detector**



**Supervisory Switch**



Flow sensitivity range : 4-10GpM(15-38LPM).

**Contact rating:**

8A@250VAC, 3A@24VDC, 2.5A@30VDC

Working Pressure : 450PSI.

Working Temperature :

0 C to 68 C.

Corrosion Protection :

Fusion Bonded Epoxy Coated Interior

and Exterior or Enamel Spray Paint,

Interior and Exterior.

UL Listed, FM Approved.

FM Approved.

GOST Certification .

Size : 2" to 8"

- Weight : 0.6kg.

- Enclosure :

Cover : Die Cast

Finish: Red Powder Coat

Base : Die Cast

All parts have corrosion resistant finishes

- Cover Tamper :

Tamper Resistant Screws

Cover Temper:

Tamper Resistant Switch Available

Cover Temper Switch Available

3Amps 5 / Amps at 125/250VAC

- Contact Ratings:

OSY - 1 : One Set of SPDT

OSY- 2: Two sets of SPDT

OSY - 3: Two Sets of SPDT and cover Tamper switch

10 Amps at 30VDC Resistive

- Conduit Entrances.

One knockout and one hole for conduit provided

- Service Use NFPA 13, 13D, 13R, 72

- UL/ULC Listed.

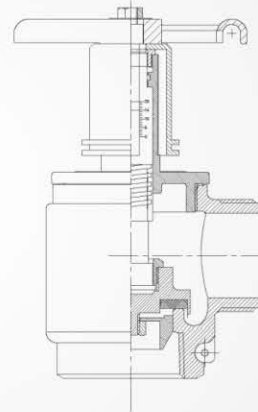
- FM Approved.

Note : Supervisor Switch suitable for OS & Y Gate Valve  
for sizes 2" to 12"

# Pressure Restricting Valve



Assembly Diagram



The Newage Pressure Restricting Valve is intended for use in wet-pipe systems and to be installed in the supply piping of standpipe systems or at the hose outlets for reducing existing high pressure in the piping system to a level that the fire hose nozzle can be managed by an operator. Pressure Restricting valves are designed to reduce outlet pressures under flowing conditions only and are intended to be used in situations where the inlet pressure does not exceed 175 psi.

## Technical Specifications

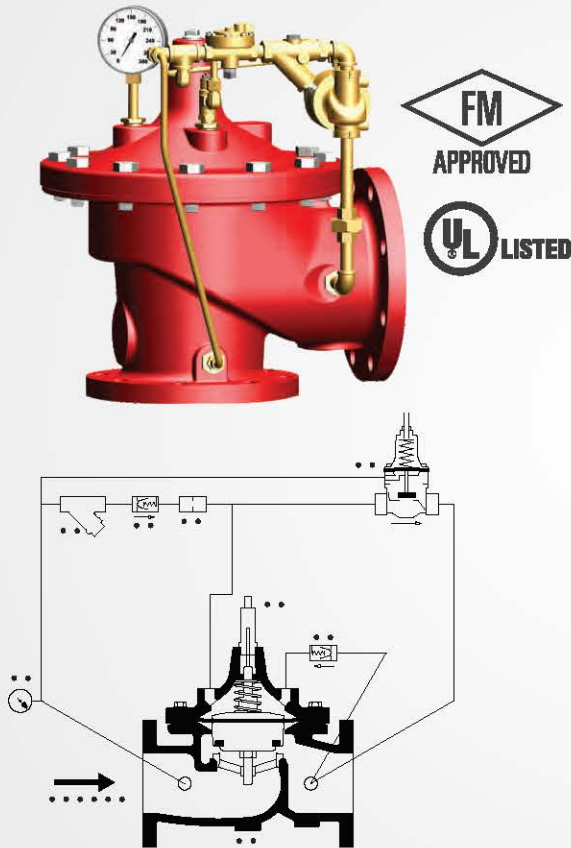
Model	38A	63A
Nominal Size	1 1/2" (38 mm)	2 1/2" (64 mm)
Inlet Connection	NPT -Female	NPT -Female
Outlet Connection	NST- Male	NST- Male
Rated Working Pressure	175 psig (12 bar)	175 psig (12 bar)
Flow rate	375 LPM	945 LPM
Direction of Opening	Counter Clockwise	Counter Clockwise
Certification	FM Approved	FM Approved

## Material Specification

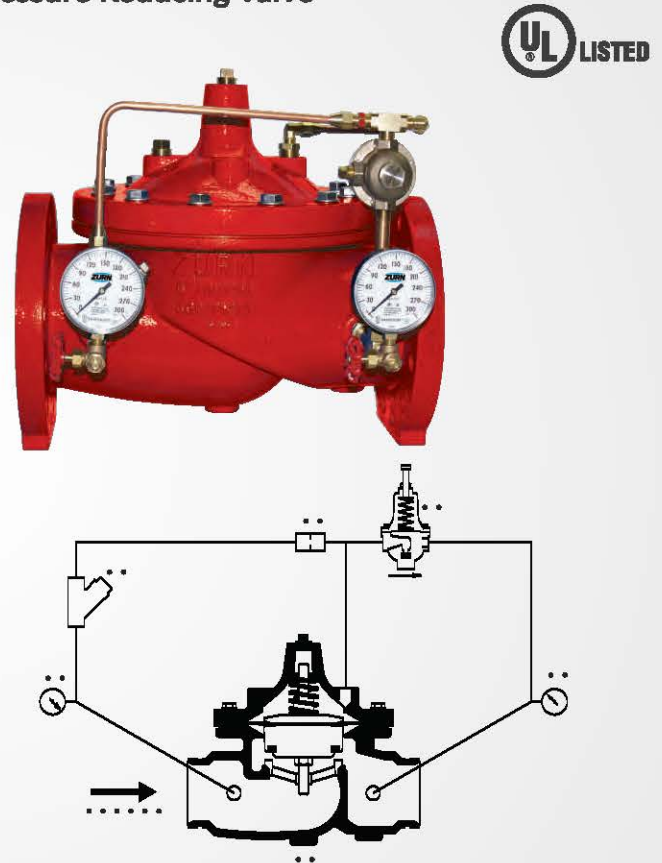
Component	Material	Specification
Body	Copper Alloy	BS: 1400 DC83
Bonnet, Pressure Indicator, Seat Valve	Copper Alloy	BS: 1400 DC83
Seat Washer	Rubber	BS: 2752
Spindle, Adjusting Nut	Brass	BS: 2874 CZ-121
Wheel Nut	Stainless Steel	BS:970/4
Hand Wheel	Ductile Iron	BS:2789 420/12

# Pressure Relief & Reducing Valve

**Pressure Relief Valve**



**Pressure Reducing Valve**



**Pressure Relief Valve : Model ZW 205 FP** - Pilot operated Pressure Relief Valve designed specifically for fire suppression systems to relieve high system pressure. The Pilot assembly reacts quickly to increase of upstream pressure to prevent damage to system piping, Valves and sprinklers while maintaining positive pressure fire pump.

**Pressure Reducing Valve : Model ZW 209 FP** - Pilot operated Pressure Reducing Valve designed specifically for fire suppression system to reduce high inlet pressure to safe and stable outlet pressure. The Pilot assembly reacts to changes in downstream pressure allowing the main valve to modulate between the closed and open position ensuring constant downstream set pressure.

## Materials Specification

	Pressure Relief Valve	Pressure Reducing Valve
1. Main Valve Body, Bonnet	Ductile Iron ASTM A536	Ductile Iron ASTM A536
2. Disc Guide & Seat	Bronze ASTM B 62	Bronze ASTM B 62
3. Disc Bun	N rubber	N rubber
4. Diaphragm	Nylon reinforced Bunan	Nylon reinforced Bunan
5. Steam & Spring	Stainless Steel	Stainless Steel
6. Approval	UL/ULC/ FM Approved	UL/ULC Approved
7. Size	1 1/4"-10" 300 psi max.	1 1/4"-10" 300 psi max.
8. Threaded end, ANSI B1.20.1	1 1/4"-thru 3"	1 1/4"-thru 3"
9. Flanged ends, ANSI B16.42	ANSI Class 150, 250 psi max	ANSI Class 150, 250 psi max
10. Temperature Rating	Water 33°F to 140°F	Water 33°F to 140°F
11. Pilot Spring Range	50-165psi ResidualPressure (155 psi Max 10")	50-165psi ResidualPressure (155 psi Max 10")
12. Inlet Working Pressure	300 psi (21 Bar)	300 psi (21 Bar)

